

DATASHEET

ARGO200SH

AISI 316L stainless steel PTZ camera - full HD -

- Sturdy AISI 316L stainless steel construction
- 'Top mount' system
- Dynamic range for reliable capture of details in overexposed situations.
- Max. Resolution 2 Megapixel (1920 x 1080)
- 32x 4.44 ~ 142.6mm optical zoom
- Max. 60 fps @ all resolutions (H.265 / H.264)
- H.265, H.264, MJPEG Codec, multiple streaming
- Day & Night (ICR), WDR (120dB), Defog
- Intelligent Dynamic Noise Reduction.
- **ONVIF® Profile S** certified
- IP66/IP67 weatherproof rating
- Built-in wiper



Full HD PTZ camera, made of AISI 316L stainless steel

ARGO200SH is a full HD PTZ camera, made of sturdy AISI 316L stainless steel with electropolishing treatment. The high performance of the 1080p/60fps full HD camera and the sturdy stainless steel construction make this product particularly suitable for marine and/or aggressive environments, where absolute precision and long service life are critical.

Some of its peculiar features are: the high speed of both horizontal and vertical movements (up to 50°/sec), the maximum precision and the high performance, thanks to the 32x optical zoom. The **ONVIF Profile S** communication protocol ensures a perfect compatibility and integration with any VMS available on the market.

There is a wide range of washer tanks with integrated pump and several delivery head options available, in addition to other accessories: wall bracket, pole adaptor, corner adaptor, etc.

DATASHEET

TECHNICAL DATA

CAMERA

Imaging Device	1/2.8" 2MP CMOS
Effective Pixels	1944(H)x1212(V)
Focal Length (Zoom Ratio)	4.44~142.6mm(32x) motorized varifocal
Max. Aperture Ratio	F1.6(Wide) ~ F4.4(Tele)
Angular Field of View	H: 61.8°(Wide)~2.19°(Tele), V: 36.2°(Wide)~1.24°(Tele)
Streaming	Unicast(20 users) / Multicast Multiple streaming(Up to 10 profiles)
Max. Framerate	H.265/H.264 : Max. 60fps/50fps(60Hz/50Hz) MJPEG: Max. 30fps/25fps(60Hz/50Hz)
Analytics	Defocus detection, Directional detection, Fog detection, Face detection, Motion detection, Digital auto tracking, Appear/Disappear, Enter/Exit, Loitering, Tampering, Virtual line, Audio detection, Sound classification
Application Programming Interface	ONVIF ® Profile S
Protocol	IPv4, IPv6, TCP/IP, UDP/IP, RTP(UDP), RTP(TCP), RTCP, RTSP, NTP, HTTP, HTTPS, SSL/TLS, DHCP, FTP, SMTP, ICMP, IGMP, SNMPv1/v2c/v3(MIB-2), ARP, DNS, DDNS, QoS, PIM-SM, UPnP, Bonjour, LLDP, SRTP
Resolution	1920x1080, 1280x1024, 1280x960, 1280x720, 1024x768, 800x600, 800x448, 720x576, 720x480, 640x480, 640x360, 320x240
Wide Dynamic Range	120dB
Digital Image Stabilization	Support
Defog	Support
Motion Detection	8ea, 8point polygonal zones
Privacy Masking	32ea, polygonal zones - Color: Grey/Green/Red/Blue/Black/White - Mosaic
Electronic Shutter Speed	Minimum / Maximum / Anti flicker (2~1/12,000sec)
Camera Title	Displayed up to 85 characters
Day & Night Backlight Compensation Camera Title	Auto(ICR) BLC, HLC, WDR, SDR Displayed up to 85 characters
Day & Night	Auto(ICR)
Electronic Shutter Speed	Minimum / Maximum / Anti flicker (2~1/12,000sec)
Preset	Up to 256 presets

DATASHEET

MECHANICAL

Material	AISI 316L stainless steel with electropolishing treatment
Horiz. movement (Pan)	360° (continuous rotation)
Vert. movement (Tilt)	180° (+/- 90°)
Electronically adjustable speed	Pan: 0 < 50 °/s Tilt: 0 < 50 °/s
Weatherproof rating	IP66/IP67
Cable entry	no.3 M16x1,5 metal cable glands no.1 M25x1,5 metal cable gland
Storage temperature/ Humidity	from -5°C to +60°C (from 23°F to +140°F) /20% - 95 %
Operating temperature/ Humidity	from -30°C to +60°C (from -22°F to +140°F) / 20% - 80%
Consumption	Max. 60W
Power	220/240Vac 50/60Hz - 0,5A 110/120Vac 50/60Hz - 1,1A 24Vac 50/60Hz -5A
Weight	25Kg.
Dimensions	<i>see technical drawings</i>

ACCESSORIES

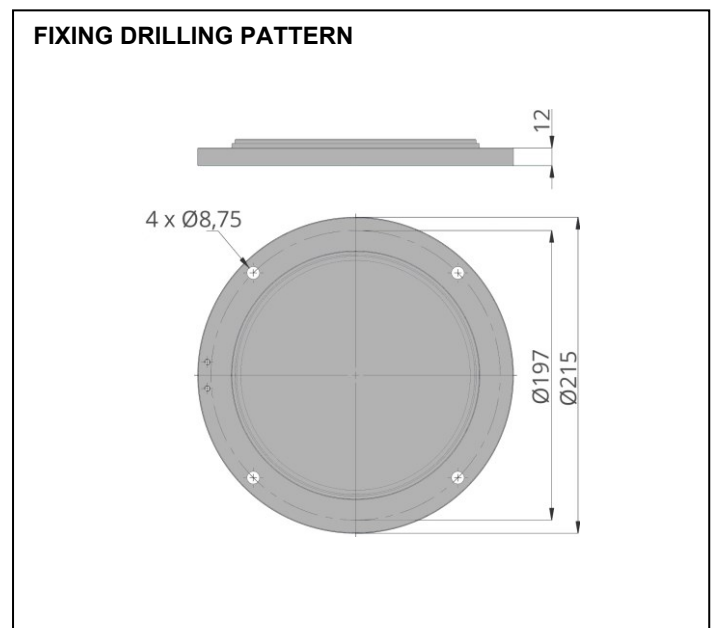
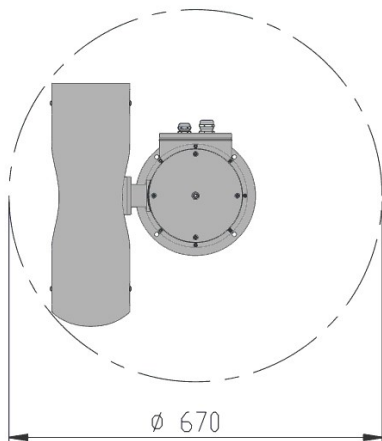
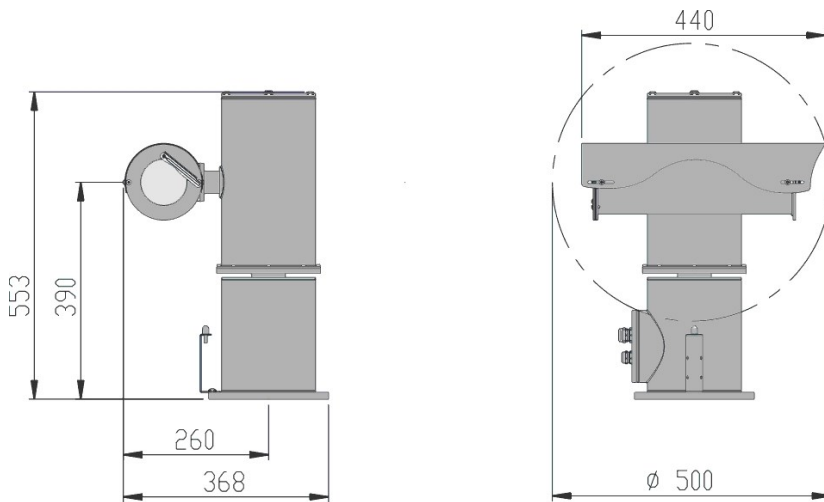
ST200	Wall bracket
SP/CB	Pole mount adapter
SA/CB	Corner mount adapter

OPTIONAL

WTP5	5lt washer tank with integrated pump, 5m delivery head, power supply: 120-230Vac or 24Vac
WTP5	5lt washer tank with integrated pump, 11m delivery head, power supply: 120-230Vac or 24Vac
WTP5	5lt washer tank with integrated pump, 19m delivery head, power supply: 120-230Vac or 24Vac
WTP25	25lt washer tank with integrated pump, 5m delivery head, power supply: 120-230Vac or 24Vac
WTP25	25lt washer tank with integrated pump, 11m delivery head, power supply: 120-230Vac or 24Vac
WTP25	25lt washer tank with integrated pump, 19m delivery head, power supply: 120-230Vac or 24Vac

DATASHEET

TECHNICAL DRAWINGS



All the dimensions are expressed in millimeters